



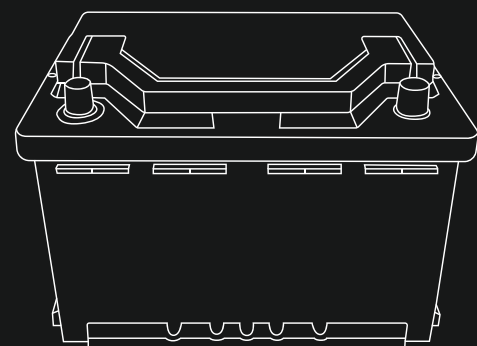
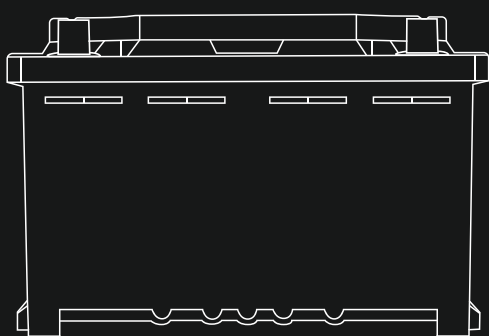
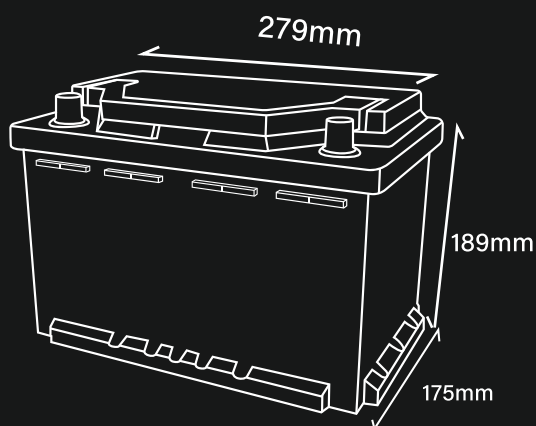
# OLA-12-100 -SLN3



# Olalitia Smart BMS LiFePO4 Battery



## INFORMACION BSICA



## ESPECIFICACIONES

<b>Basic informafion</b>	Model	OLA-12-100-SLN3
	BMS (Battery Management System)	Integrated
	Capacidad nominal	100Ah / 1280Wh
	Rated capacity	12,8V
	Number of cycles	>6000 @ 80% D.o.D
	Weight	10,7 kg
	Dimensions (L x W x H)	279*175*189mm
	Operating voltage range Rated voltage	10 -14,6V
	Warranty	3 years
<b>Charge</b>	Charging characteristics	CCCV / IU
	Recommended charge voltage	14,6V
	Recommended charge current	20A
<b>Discharge</b>	Maximum charge current	50A
	Continuous discharge current	100A
<b>Temperature</b>	Maximum discharge cut-off current	300A(200-500ms)
	Discharge temperature range	-20 ~ 65 °C
	Charge temperature range	-5 ~ 50 °C
<b>Material</b>	Storage temperature range	-5 ~ 45 °C
	Material of case	ABS
	Terminals	M8
<b>Intelligent monitoring</b>	Ingress protection code	IP65
	Bluetooth	<b>Integrated Bluetooth 4.0 module</b> Allowing to control and read the status of the battery and showing errors under extreme condition like overloads, overheating and short circuit, etc. on your smart phone
	Connection	Max. 4 Series and 4 Parallel connection

## PERFORMANCE CHARACTERISTIC

### EUROPE QUALITY

- The safest technology, without risk of fire or explosion
- Long useful life
- Constant improvement of the capacity of storage
- Great stability even under extreme loads
- No memory effect, no need to completely cycle

### APPLICATIONS

 Motorhome; Caravan

 Boat; Yacht

 Photovoltaic; Renewable energy



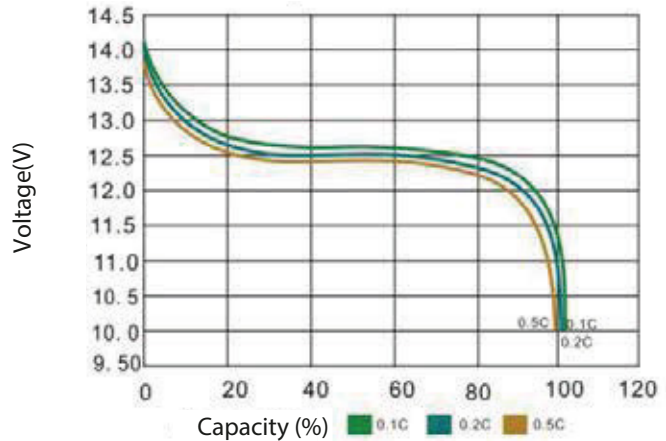
### OLALITIO S.L.

Polígono BTV, C/ Tamariz 62,  
La Puebla de Alfindén, 50171,  
ZARAGOZA, SPAIN.

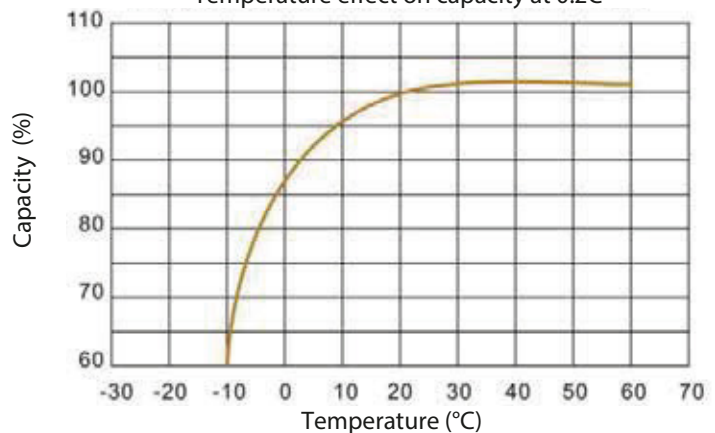
Tel: +34 876434005

Email: [contacto@olalitia.com](mailto:contacto@olalitia.com)

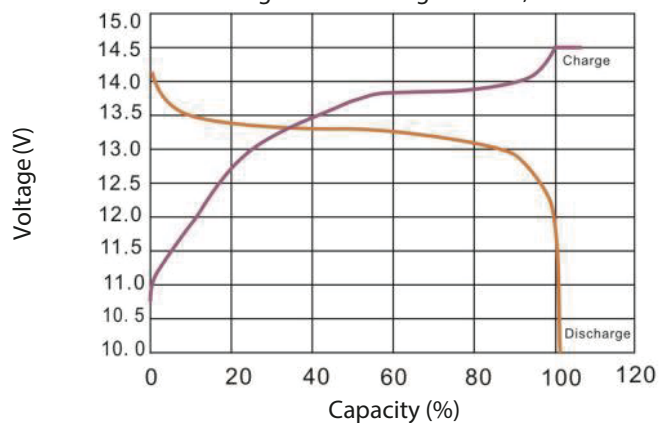
Discharge performance at 25°C



Temperature effect on capacity at 0.2C



Charge and Discharge at 25°C, 0.2C



Cycle Life with DOD at 25°C, 0.2C

