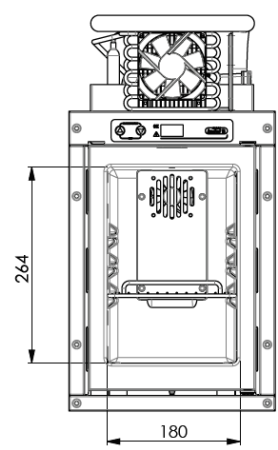
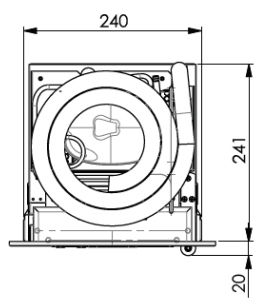
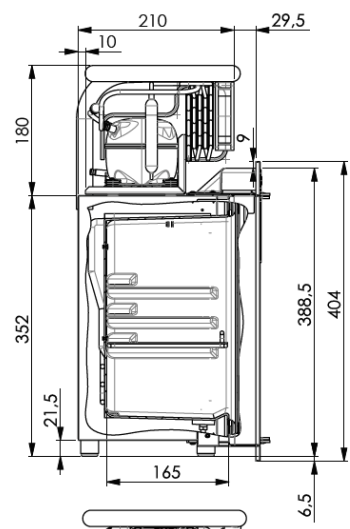
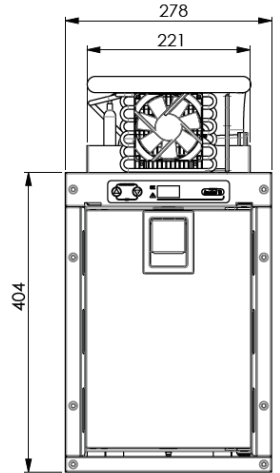




FM7

NEW BUILT IN FRIDGE FOR AMBULANCES



SECCO
COMPRESSORS



Indel B SpA - Via Sarsinate 27 - 47866 S. Agata Feltria (RN), Italy. Tel. +390541848711

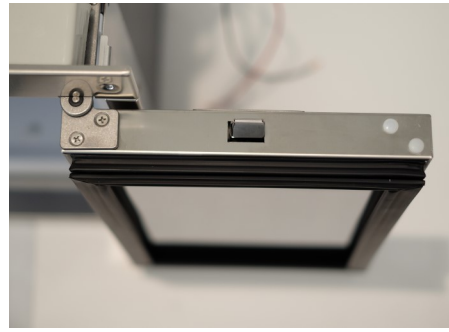
FAST, EASY AND SAFE INSTALLATION

1



Electronic thermostat with On/Off function, fixed temperature at 4 °C +/- 1,5°C equipped with sound and visual alarms. The fridge will be ready when the green light will stop blinking. Red light and sound alarm will appear if set temperature is exceeded. Both sound and visual alarms can be reset pushing both the set buttons for 5 seconds.

2



Reversible 180° door opening

3



Flush mount stainless steel handle for a secure door fastening.

4



Internal ventilation fan with stainless steel protection plate and internal shelf (three positions).

5



Sealed protection cover for electronic board and strong flush mount frame .

6



The New SECOP BD1.4F compressor cooling unit can be easily moved from the top to the bottom on the back or both right and left sides.

For more information contact:
info@indelb.com